



DUAL LINE CAN BUS PROTECTOR

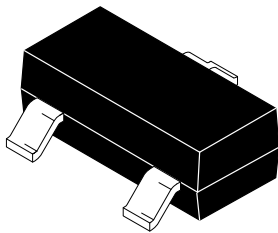
Features

- 200 Watts Peak Pulse Power per Line (tp=8/20μs)
- Protects Two Lines
- Low Clamping Voltage
- Working Voltages : 24V
- Low Leakage Current
- IEC61000-4-2 (ESD) ±25kV (air), ±15kV (contact)
- IEC61000-4-4 (EFT) 40A (5/50ns)
- IEC61000-4-5 (LIGHTING) 3A (8/20μs)
- JEDEC SOT-23 Package
- Molding Compound Flammability Rating : UL 94V-0
- Weight 8 Milligrams (Approximate)
- Quantity Per Reel : 3,000pcs
- Reel Size : 7 inch
- Lead Finish : Lead Free

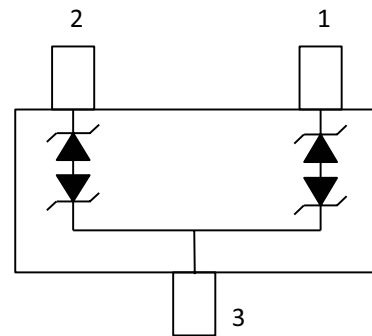
Applications

- Dual CAN BUS Protection
- Automatic Teller Machines
- Security systems
- Desktops, Servers, Notebooks & Handhelds
- Microprocessor Based Equipment
- Set-Top Box

SOT-23



Circuit Diagram



DEVICE CHARACTERISTICS

MAXIMUM RATINGS (@ 25°C Unless Otherwise Specified)

PARAMETER	SYMBOL	VALUE	UNITS
Peak Pulse Power (tp=8/20μs waveform)	P _{PP}	200	Watts
Lead Soldering Temperature	T _L	260 (10 sec.)	°C
Operating Temperature Range	T _J	-55 ~ 150	°C
Storage Temperature Range	T _{STG}	-55 ~ 150	°C

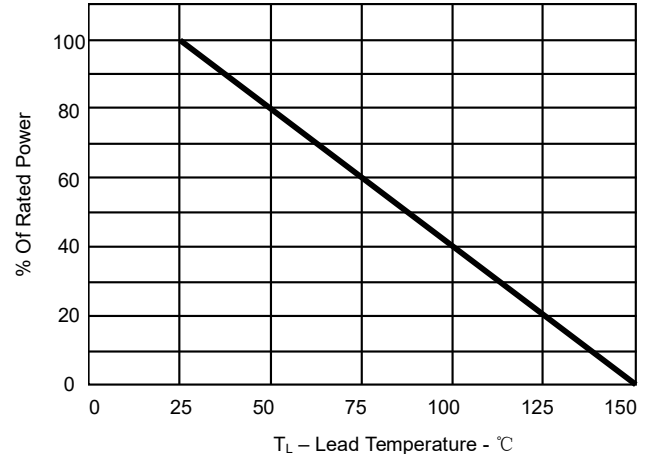
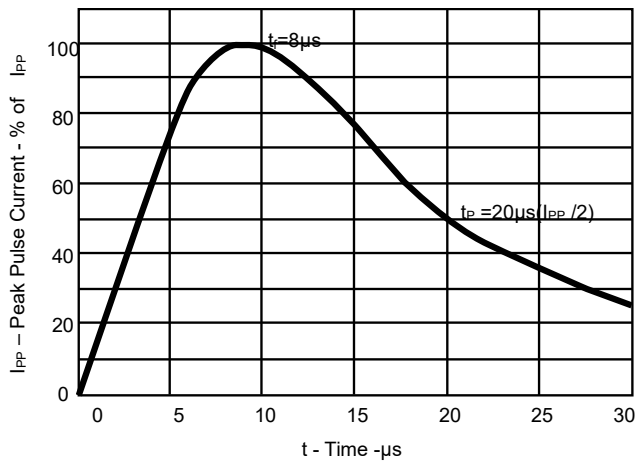


ELECTRICAL CHARACTERISTICS PER LINE (@ 25°C Unless Otherwise Specified)

PART NUMBER	DEVICE MARKING	V_{RWM} (V) (max.)	V_B (V) (min.)	I_T (mA)	V_C @1A (max.)	V_C (max.)	V_C (@A)	I_R (μ A) (max.)	C_T (pF) (typ.)
ESD3T24VB1L201H	SCH	24	26.7	1	40	45	3	1	17

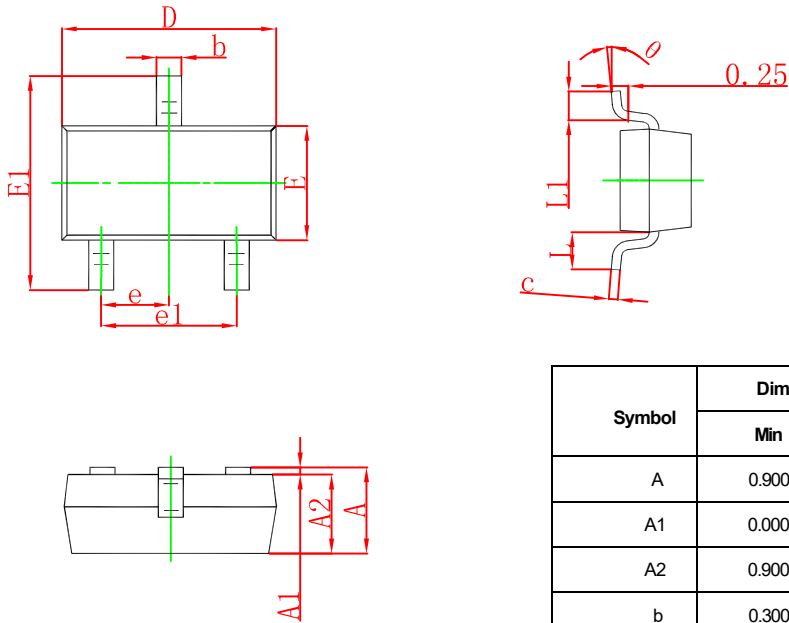
Fig 1.Pulse Waveform

Fig 2.Power Derating Curve



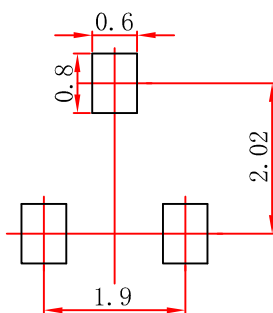


SOT-23



Symbol	Dimensions In Millimeters		Dimensions In Inches	
	Min	Max	Min	Max
A	0.900	1.150	0.035	0.045
A1	0.000	0.100	0.000	0.004
A2	0.900	1.050	0.035	0.041
b	0.300	0.500	0.012	0.020
c	0.080	0.150	0.003	0.006
D	2.800	3.000	0.110	0.118
E	1.200	1.400	0.047	0.055
E1	2.250	2.550	0.089	0.100
e	0.950 TYP		0.037 TYP	
e1	1.800	2.000	0.071	0.079
L	0.550 REF		0.022 REF	
L1	0.300	0.500	0.012	0.020
θ	0°	8°	0°	8°

SOT-23 Suggested Pad Layout



- Note:
1. Controlling dimension: in millimeters.
 2. General tolerance: $\pm 0.05\text{mm}$.
 3. The pad layout is for reference purposes only.



NOTICE

The information presented in this document is for reference only. Semiteh reserves the right to make changes without notice for the specification of the products displayed herein.

The product listed herein is designed to be used with ordinary electronic equipment or devices, and not designed to be used with equipment or devices which require high level of reliability and the malfunction of which would directly endanger human life (such as medical instruments, transportation equipment, aerospace machinery, nuclear-reactor controllers, fuel controllers and other safety devices), Semiteh Semiconductor Co., Ltd., or anyone on its behalf, assumes no responsibility or liability for any damages resulting from such improper use of sale.

This publication supersedes & replaces all information previously supplied. For additional information, please visit our website <http://www.semiteh.com>, or consult your nearest Semiteh's sales office for further assistance.